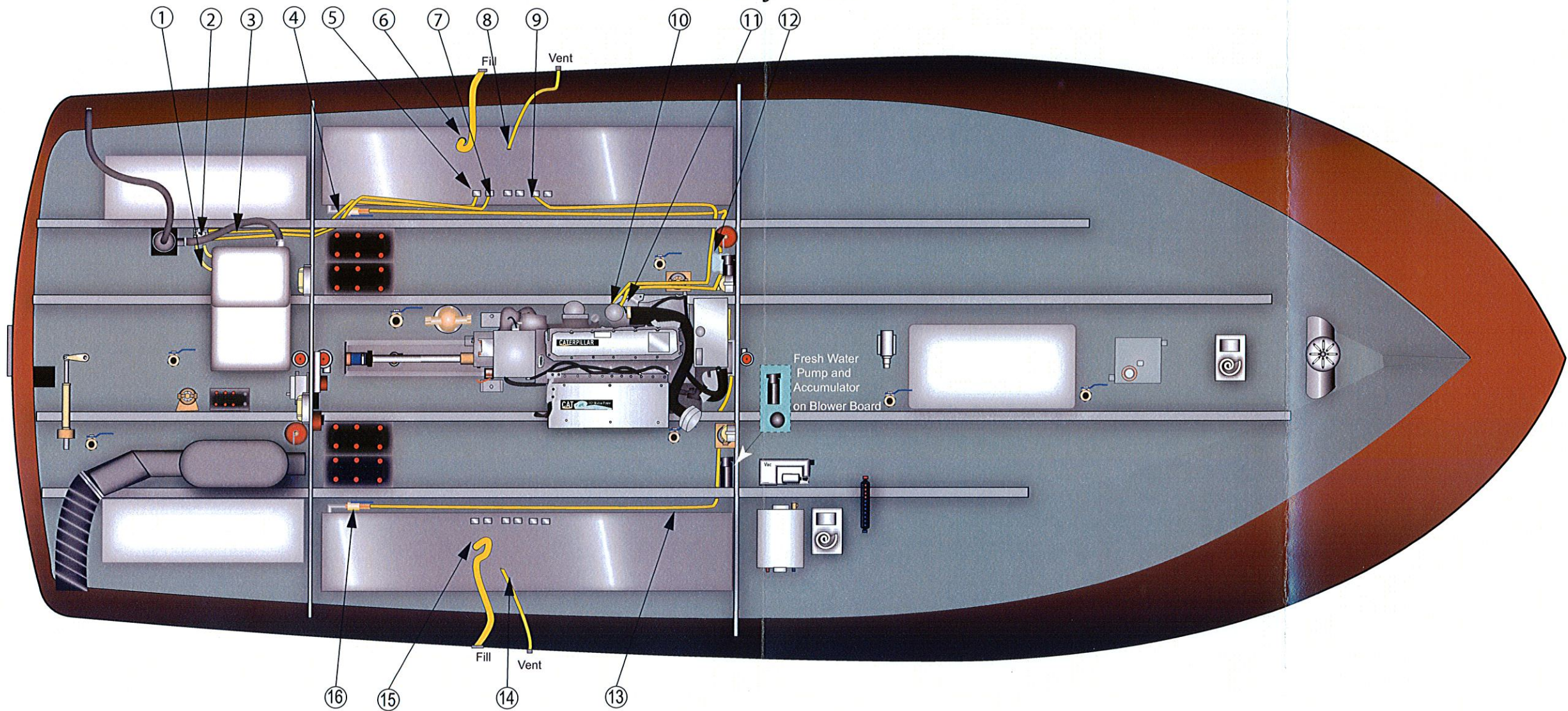


# Mainship 400 Trawler

## Fuel System



1	Generator Supply
2	Generator return
3	Gen Fuel Filter
4	Fuel Supply Valve
5	Gen Supply
6	Fuel Fill
7	Gen Return
8	Vent
9	Engine Return
10	Engine Supply (from Filter)
11	Engine Return (to tank)

12	Fuel Filter
13	Stbd Main Sullply Line
14	Vent
15	Fuel Fill
16	Stbd Supply Valve